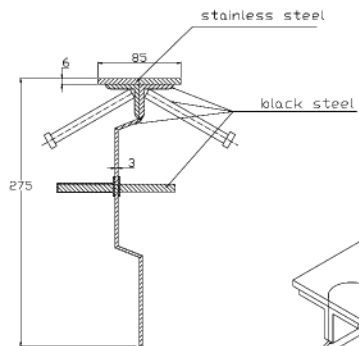
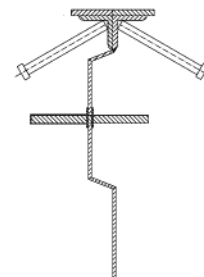
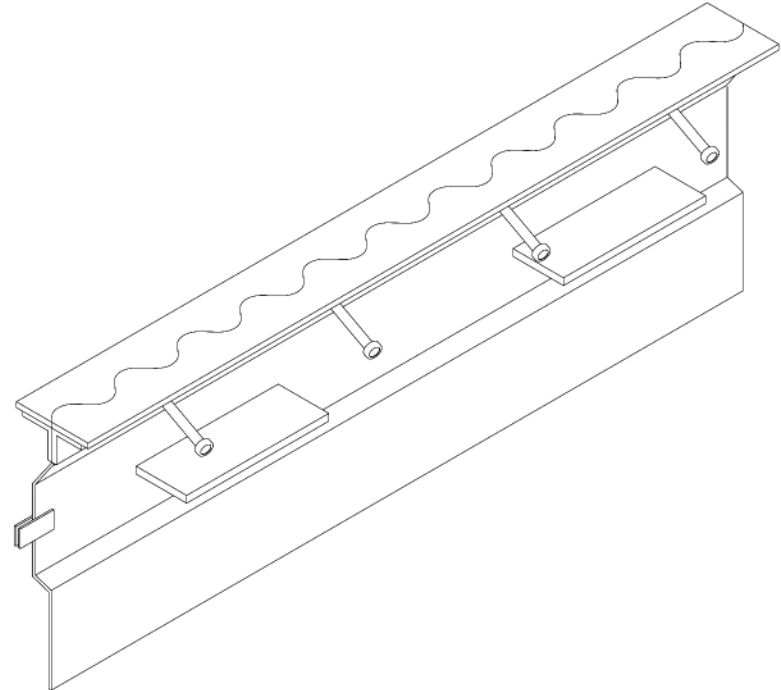
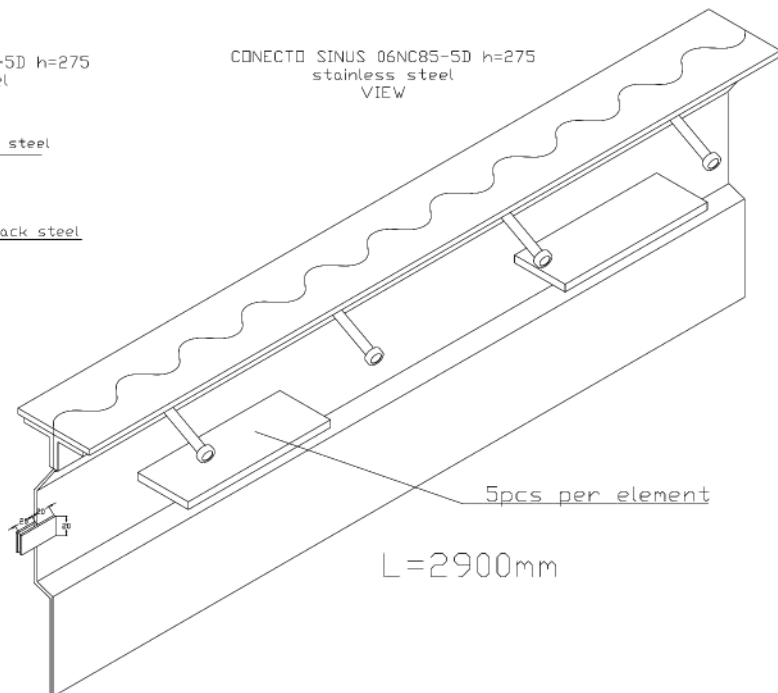


CONNECTO SINUS 06NC85-5D h=275
stainless steel
SECTION



CONNECTO SINUS 06NC85-5D h=275
stainless steel
VIEW



| | | |
|---|----------------|-------------|
| OBJEKT / OBJECT | Robotów D1e | 608 696 024 |
| PROJEKT / PROJECT | | |
| OPRACOWANIE / DRAWING | | |
| TYTUŁ / TITLE | Sebastian Jank | |
| PROJEKTANT / PROJECTOR | | |
| WYKONAWCA / CONTRACTOR | | |
| WZROST / HEIGHT | | |
| CIĘŻAR / WEIGHT | | |
| WYMIAR / SIZE | | |
| SKALA / SCALE | | |
| <small>Wszystkie wymiary podane w 1:1 All dimensions in 1:1</small> | | |

Expansion joint Conecto Sinus
06NC85-5D h=275
stainless steel



LIIKUNTA SAUMAT.FI

WYMIAR / SIZE: A3
SKALA / SCALE: 1:1
Wszystkie wymiary podane w 1:1
All dimensions in 1:1

| | | | | | | | | | |
|-------------------|--|-----------------|--|---------------|--|-----------------|---|-----------------|---|
| PROJEKT / PROJECT | | OBJEKT / OBJECT | | TYTUŁ / TITLE | | WZROST / HEIGHT | 1 | CIĘŻAR / WEIGHT | 1 |
|-------------------|--|-----------------|--|---------------|--|-----------------|---|-----------------|---|