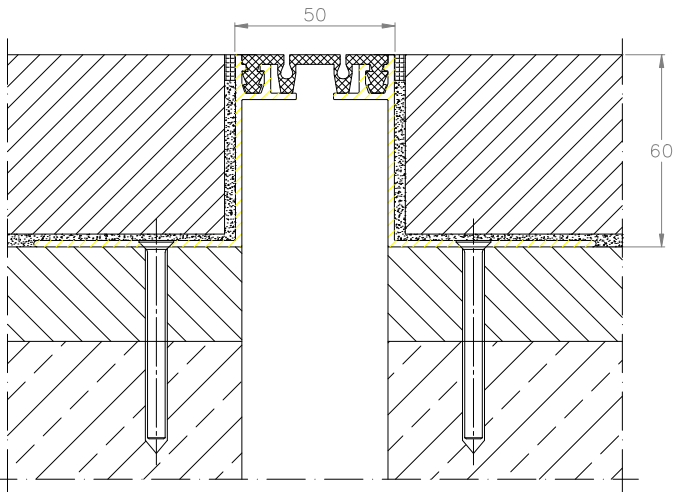


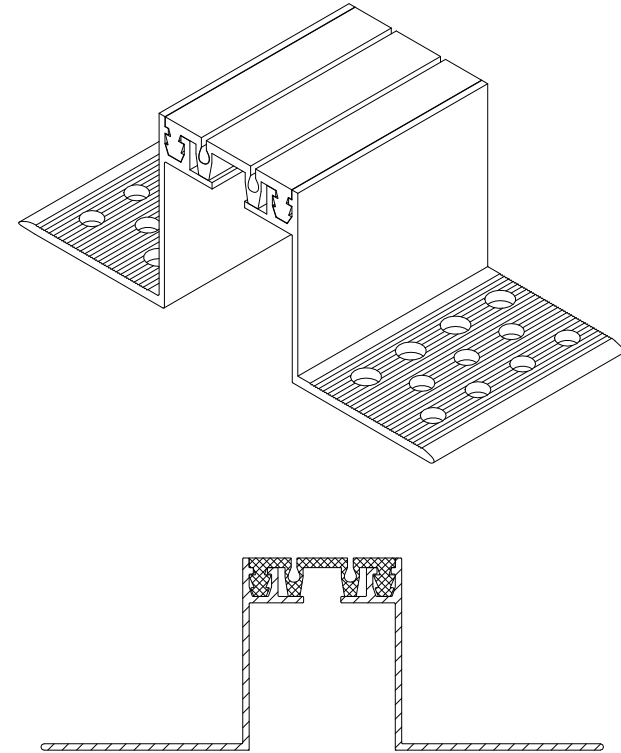
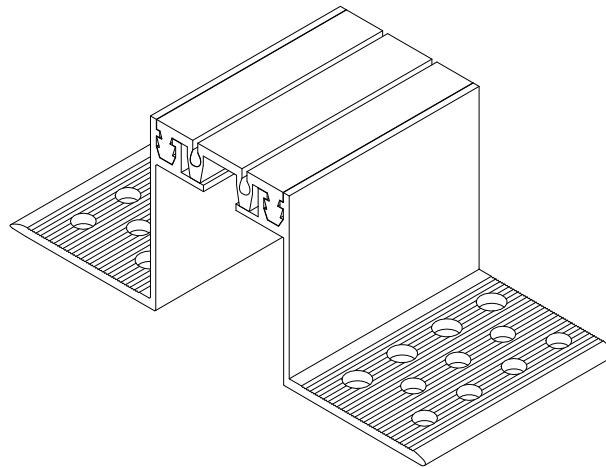
INFORMATION TABLE

Profile type	Visible element [mm]	Joint width [mm]	Base width [mm]	Installation height [mm]	Material type	Maximum load [kN]	Horizontal/Vertical compensation [mm]
EL 50.8.60	50	50	175	60	Aluminum, modified PVC	30	16(±8) 16(±8)

CONECTO EL 50.8.60 SECTION



CONECTO EL 50.8.60 VIEW



KONKRET V ROZSAHNE ZODPOVEDIA KONSTRUKCIE PRIPADNE OBRATY PRISAHNUTIE PROJEKTOVIK	Radostaw Ole		608 696 024
	Aleksandra Radzienska		
	IMENNO IME	DATA DATE	PISUPIS SIGNATURE
			TELEFON PHONE

Expansion joint Conecto Elasto 50.8.60

Liikuntasaumat.fi

ROZMIAR / SIZE A3  
SKALA / SCALE 1:1

Wszystkie wymiary podano w [ mm ]  
All dimensions in [ mm ]

PROJEKT	PROJEKT	ZLOZENIE	SUB ASSEMBLY	RYSUJEK	DRAWING	ARUZET	VER
--		--		01		1 Z 1	REV