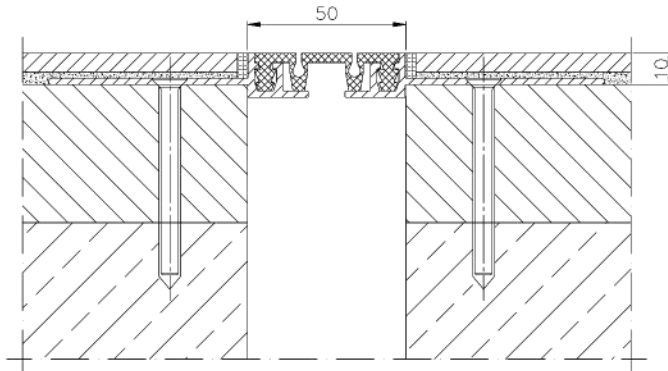


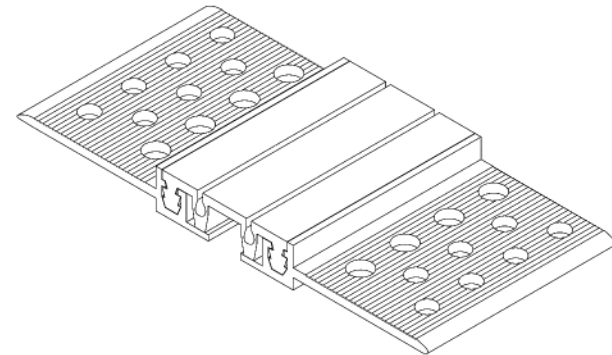
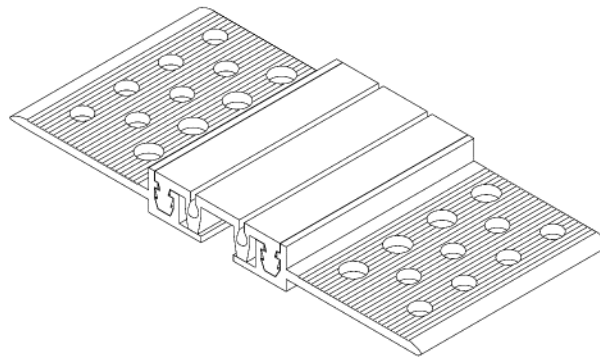
INFORMATION TABLE

| Profile type | Visible element [mm] | Joint width [mm] | Base width [mm] | Installation height [mm] | Material type | Maximum load [kN] | Horizontal/Vertical compensation [mm] |
|--------------|----------------------|------------------|-----------------|--------------------------|------------------------|-------------------|---------------------------------------|
| EL 50.8.10 | 50 | 50 | 175 | 10 | Aluminum, modified PVC | 30 | 16(\pm 8) 16(\pm 8) |

CONECTO EL 50.8.10
SECTION



CONECTO EL 50.8.10
VIEW



| | | | |
|--|----------------------|--|-------------|
| PROJEKT V KRESLAK CENAK a dle PLATE SIZE | Radostaw De | | 608 596 024 |
| SPRACOW DRAWING | | | |
| PROJEKTOW PROJECT | | | |
| PROJEKTOW PROJECT | Aleksandra Radzińska | | |
| PROJEKTOW PROJECT | | | |
| PROJEKTOW PROJECT | | | |
| PROJEKTOW PROJECT | | | |
| PROJEKTOW PROJECT | | | |

Expansion joint Conecto Elasto 50.8.10



ROZMIAR / SIZE SKALA / SCALE

Wszystkie wymiary podano w (mm)
All dimensions in (mm)

| PROJEKT | PROJECT | ZEBLONE | CLIP ASSEMBLY | RYTUROWY | DRAWING | LIŚCIEK | DECK | WERSJA | REV |
|---------|---------|---------|---------------|----------|---------|---------|---------|--------|-----|
| -- | | -- | | 01 | | 1 | Z 01 | 1 | |